

Safety Valves

Type 06218, Type 06219



Safety Valves, brass,
type tested TÜV-SV.1090. D/G

Full lift safety valve
with PTFE O-Ring valve seal,
open bonnet, with discharge holes
Inlet: male thread type G (BSPP) acc. to ISO 228/1

Part No. 06218.X.0000

Part No. 06219.X.0000

with lifting device

Available options - on request only:

- external parts nickel plated

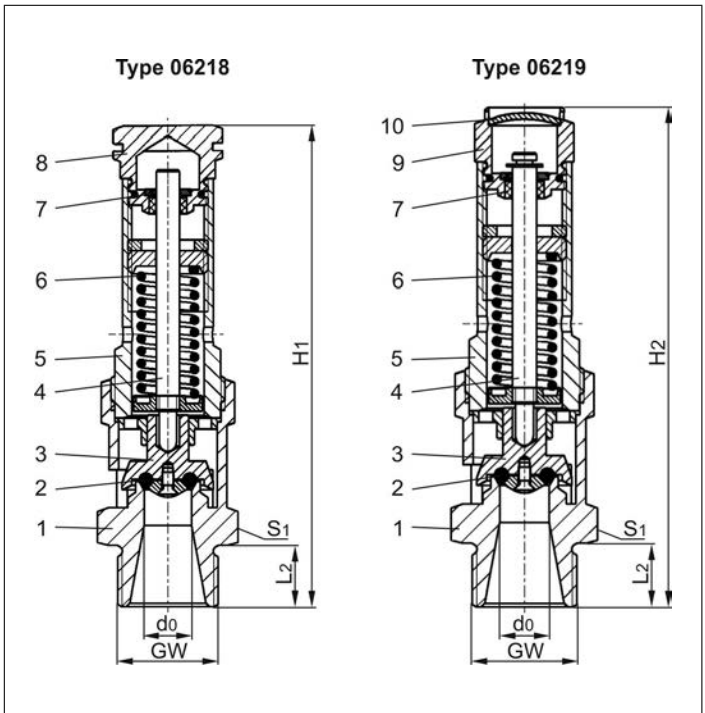


Applications:

Provided as safety device for protection against excessive pressure in stationary and moveable gas cylinders and pressure vessels. Approved for air and similar gases.

Working temperature: -60°C / -76°F (213K) up to +150°C / +302°F (423K), suitable for horizontal installation

Materials	DIN EN	ASTM
1 Body	CW617N	EN 12165
2 Valve seal	PTFE O-Ring	
3 Disc	CW614N	EN 12164
4 Stem	CW614N	EN 12164
5 Bonnet	CW614N	EN 12164
6 Spring	1.4571	A 313 Grade 316Ti
7 Stem guide	PTFE	
8 Cap	CW614N	EN 12164
9 Lifting device	CW614N	EN 12164
10 Closing cap	CW507L	B 36 UNS C26800



Essential: Valves are delivered at a set pressure, therefore when ordering please confirm set pressure, medium and temperature.

Standard marking acc. to Pressure Equipment Directive 97/23/EC (PED).



Type 06218 & 06219	Technical data		
Nominal size	GW	1/2	3/4
Orifice	d ₀	12.5	12.5
Dimension code	.X.	0400	0600
Set pressure range	bar	3.0-16.0	3.5-17.0
Height	H ₁	102	121.5
Height	H ₂	106	126
Length	L ₂	14	16
Wrench size across flats	S ₁	27	32
Weight	ca. kg	0.25	0.40
Coeff. of discharge	α _w	0.26	0.75

Dimensions in mm.

Safety Valves

Type 06218, Type 06219



Discharge capacities

Calculation of mass flow acc. to AD2000-Merkblatt A2

Medium:

Air in m³/h at 0°C and 1013.25 mbar

The capacity indicated below is for a fully opened valve.

d_0 - orifice

A_0 - flow area

Set pressure in bar (g)	GW	1/2	3/4
	d_0 (mm)	12.5	12.5
	A_0 (mm ²)	122.7	122.7
	Medium	Air	
0.5	-	-	
1.0	-	-	
2.0	-	-	
3.0	90	-	
3.5	102	305	
4.0	113	340	
5.0	136	410	
6.0	159	479	
7.0	182	548	
8.0	206	619	
9.0	229	689	
10.0	252	760	
11.0	275	829	
12.0	298	899	
13.0	321	969	
14.0	344	10389	
15.0	367	1108	
16.0	390	1177	
17.0	-	1247	
18.0	-	-	
20.0	-	-	
22.0	-	-	