

# Globe Valves

## Type 03331 - Globe Valve, DIN EN Flanges



### Cryogenic-Globe and Globe/Check Valves, PN40

Stainless steel body and bronze topwork,  
 "live loaded" gland packing  
 "cleaned and degreased for oxygen service"

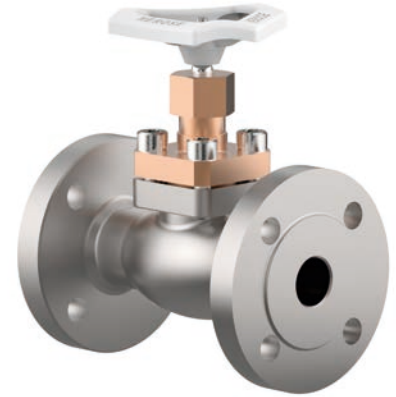
**Part No. 03331.X.0002**

**Part No. 03331.X.5002 Globe/Check Valve**

Flanged connection acc. to DIN EN 1092-1 PN40

Available options - on request only:

- Valve with control disc (tapered design)
- Nominal sizes DN15, DN20 and DN150 with welding-neck flange



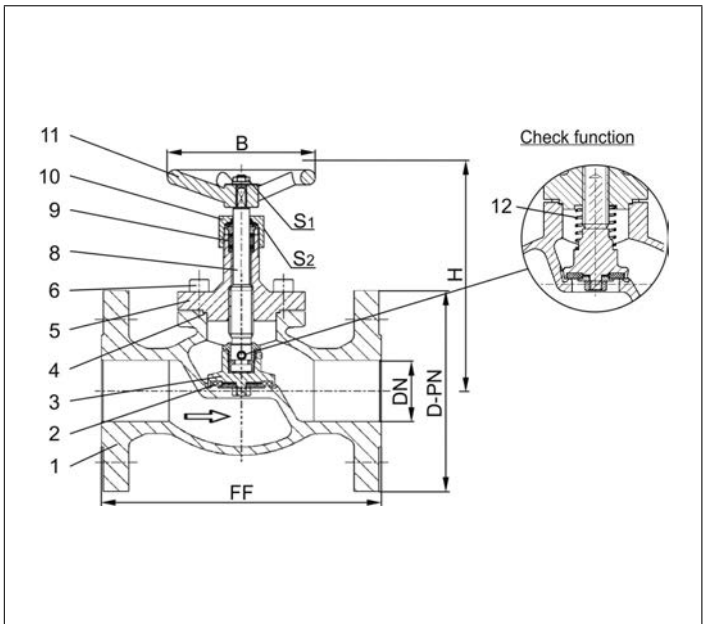
### Applications:

Approved for air gases, vapours and cryogenic liquefied gases incl. LNG.

Working temperature: -196°C / -321°F (77K) up to +120°C / +248°F (393K)

Recommended working temperature: -60°C / -76°F (213K) up to +120°C / +248°F (393K)

Materials	DIN EN	ASTM
1 Body	1.4308	A 351 CF8
2 Valve seal up to DN50	PTFE / Carbon filled (25%)	
2a Valve seal from DN65	PTFE	
3 Disc	CW614N	B 283 UNS C38500
4 Bonnet gasket	PTFE	
5 Headpiece	CC493K	B 505 UNS C93200
6 Bolts	1.4301/A2	A 194 B8
8 Stem	1.4301	A 276 Grade 304
9 Gland packing	Graphite / PTFE	
10 Gland nut	CW614N	B 283 UNS C38500
11 Handwheel	Aluminium alloy	
12 Spring	CW452K	B 159 UNS C51900



Standard marking acc. to Pressure Equipment Directive 97/23/EC (PED).



Type 03331 - Standard design	Technical data						
Nominal size	DN	25	40	50	65	80	100
Dimension code - Flange EN 1092-1 PN40	.X.	0250	0400	0500	0650	0800	1000
Flange-Ø	D-PN	115	150	165	185	200	235
Face-to-face dimension	FF	160	200	230	290	310	350
Height	H	140	175	200	260	310	350
Handwheel-Ø	B	100	125	125	200	250	315
Wrench size across flats	S <sub>1</sub>	10	13	13	13	13	13
Wrench size across flats	S <sub>2</sub>	30	36	36	36	36	41
Weight	ca. kg	4.5	9.1	12.9	20.6	27.6	39.8
Kvs-Value	m <sup>3</sup> /h	11.5	22.6	37.1	71.1	104.0	170.0
Cv-Value	gal/min	13.4	26.3	43.2	82.7	120.9	195.2

Dimensions in mm.