

Globe Valves

Type 03252 - Bellow Sealed Globe Valve



Cryogenic-Bellow Sealed Globe Valve, class 300

Stainless steel body and topwork,
 "live loaded" gland packing
 "cleaned and degreased for oxygen service"

Part No. 03252.X.0023

Flanged connection acc. to ANSI B16.5 class 300

Available options - on request only:

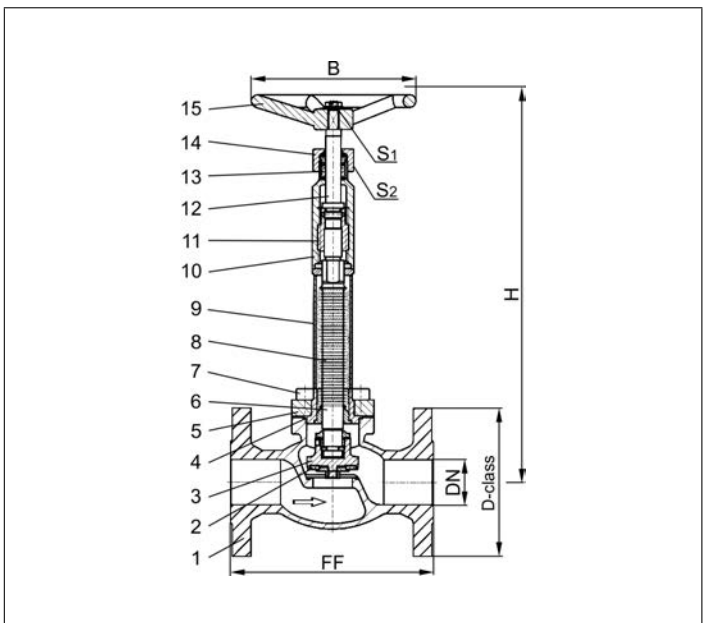
- Extension H up to 900mm
- Valve with control disc (tapered design)
- Nominal sizes DN15 and DN20 with welding-neck flange



Applications:

Approved for air gases, vapours and cryogenic liquefied gases incl. LNG.
 Working temperature: -196°C / -321°F (77K) up to +120°C / +248°F (393K)
 Leak rate: 10^{-6} mbar ltr / sec outside, 10^{-4} mbar ltr / sec seat

Materials	DIN EN	ASTM
1 Body	1.4308	A 351 CF8
2 Valve seal	PTFE / Carbon filled (25%)	
3 Disc	1.4301	A 276 Grade 304
4 Bonnet gasket	PTFE	
5 Headpiece	1.4301	A 276 Grade 304
6 Bellow stem	1.4571	A 276 Grade 316Ti
7 Boltshrauben	1.4301/A2	A 194 B8
8 Bellow	1.4571	A 276 Grade 316Ti
9 Elongation tube	1.4541	A 213 TP 321
10 Upper part	1.4301	A 276 Grade 304
11 Bush	CW452K	B 159 UNS C51900
12 Stem	1.4301	A 276 Grade 304
13 Gland packing	Graphite / PTFE	
14 Gland nut	1.4305	A 276 Grade 303
15 Handwheel	Aluminium alloy	



Standard marking acc. to Pressure Equipment Directive 97/23/EC (PED).



Type 03252 - Standard design	Technical data			
Nominal size	DN	25	40	50
Dimension code - Flange ANSI B16.5 class 300	.X.	1000	1400	2000
Flange-Ø	D-class	123.9	155.4	165
Face-to-face dimension	FF	160	200	230
Height	H	380	380	380
Handwheel-Ø	B	150	150	150
Wrench size across flats	S ₁	10	13	13
Wrench size across flats	S ₂	30	36	36
Weight	ca. kg	5.2	10.1	13.8
Kvs-Value	m ³ /h	11.5	22.6	37.1
Cv-Value	gal/min	13.4	26.3	43.2

Dimensions in mm.