

Globe Valves

Type 01311 - Globe Valve



Cryogenic-Globe and Globe/Check Valves, PN50

Bronze body and topwork
 "live loaded" gland packing
 "cleaned and degreased for oxygen service"

Part No. 01311.X.0017 (H=270mm)

Part No. 01311.X.0027 (H=370mm)

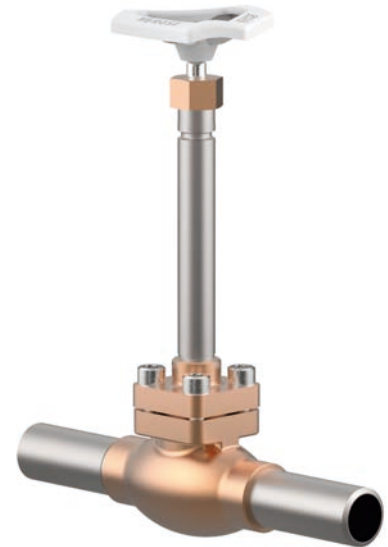
Part No. 01311.X.5017 (H=270mm) Globe/Check Valve

Part No. 01311.X.5027 (H=370mm) Globe/Check Valve

Complete with stainless steel stubs acc. to DIN EN 10216-5 or ASTM A312

Available options - on request only:

- Extension H up to 900mm
- Valve with control disc (tapered design)

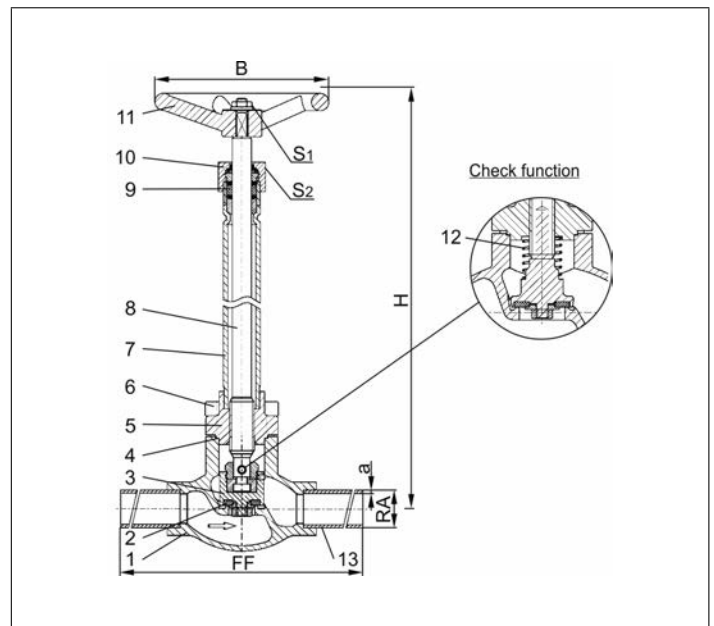


Applications:

Approved for air gases, vapours and cryogenic liquefied gases incl. LNG.
 Working temperature: -196°C / -321°F (77K) up to +120°C / +248°F (393K)

Materials	DIN EN	ASTM
1 Body	CC491K	B 62 UNS C83600
2 Valve seal	PTFE / Carbon filled (25%)	
3 Disc	CW614N	B 283 UNS C38500
4 Bonnet gasket	PTFE	
5 Headpiece	CC493K	B 505 UNS C93200
6 Bolts	1.4301/A2 A 194 B8	
7 Elongation tube	1.4541 A 213 TP 321	
8 Stem	1.4301 A 276 Grade 304	
9 Gland packing	Graphite / PTFE	
10 Gland nut	CW614N	B 283 UNS C38500
11 Handwheel	Aluminium alloy	
12 Spring	CW452K	B 159 UNS C51900
13 Stainless steel stubs	1.4306	A 312 TP304L

Standard marking acc. to Pressure Equipment Directive 97/23/EC (PED).



Type 01311 - Standard design	Technical data								
Nominal size	DN	10	10	15	20	25	32	40	50
Dimension code	.X.	1012	1017	1521	2027	2533	3242	4048	5060
Face-to-face dimension	FF	210	210	235	235	265	265	290	310
Height	H	270mm or 370mm							
Outside pipe-Ø ISO 1127	RA	12.0	17.2	21.3	26.9	33.7	42.4	48.3	60.3
Wall thickness pipe ISO 1127	a	1.0	2.3	2.6	2.9	3.2	3.2	3.6	3.6
Outside pipe-Ø ASTM A312	RA	-	17.15	21.34	26.67	33.4	42.16	48.26	60.33
Wall thickness pipe ASTM A312	a	dimensions acc. to S10 or S40							
Handwheel-Ø	B	100	100	100	100	100	125	125	125
Wrench size across flats	S ₁	10	10	10	10	10	13	13	13
Wrench size across flats	S ₂	30	30	30	30	30	36	36	36
Weight	ca. kg	1.45	1.55	2.0	2.4	2.8	3.7	5.2	7.8
Kvs-Value	m ³ /h	2.2	2.2	4.3	6.7	11.5	12.1	22.6	37.1
Cv-Value	gal/min	2.6	2.6	5.0	7.8	13.4	14.1	26.3	43.2

Dimensions in mm.