

Globe Valves

Type 01311 - Globe Valve



Cryogenic-Globe and Globe/Check Valves, PN50

- Bronze body and topwork
- "live loaded" gland packing
- "cleaned and degreased for oxygen service"

- Part No. 01311.X.0018 (H=270mm)**
- Part No. 01311.X.0028 (H=370mm)**
- Part No. 01311.X.5018 (H=270mm) Globe/Check Valve**
- Part No. 01311.X.5028 (H=370mm) Globe/Check Valve**
- Complete with copper stubs acc. to DIN EN 12449

- Available options - on request only:
- Extension H up to 900mm
 - Valve with control disc (tapered design)

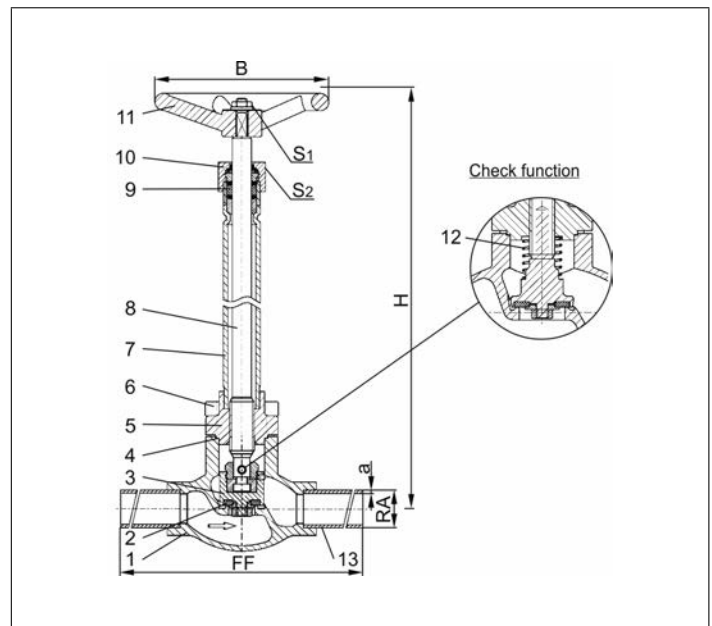


Applications:

Approved for air gases, vapours and cryogenic liquefied gases incl. LNG.
Working temperature: -196°C / -321°F (77K) up to +120°C / +248°F (393K)

| Materials | DIN EN | ASTM |
|-------------------|----------------------------|------------------|
| 1 Body | CC491K | B 62 UNS C83600 |
| 2 Valve seal | PTFE / Carbon filled (25%) | |
| 3 Disc | CW614N | B 283 UNS C38500 |
| 4 Bonnet gasket | PTFE | |
| 5 Headpiece | CC493K | B 505 UNS C93200 |
| 6 Bolts | 1.4301/A2 A 194 B8 | |
| 7 Elongation tube | 1.4541 A 213 TP 321 | |
| 8 Stem | 1.4301 A 276 Grade 304 | |
| 9 Gland packing | Graphite / PTFE | |
| 10 Gland nut | CW614N | B 283 UNS C38500 |
| 11 Handwheel | Aluminium alloy | |
| 12 Spring | CW452K | B 159 UNS C51900 |
| 13 Copper stubs | CW024A | B 152 UNS C12200 |

Standard marking acc. to Pressure Equipment Directive 97/23/EC (PED).



| Type 01311 - Standard design | Technical data | | | | | | | | |
|------------------------------|-------------------|----------------|------|------|------|------|------|------|------|
| | DN | 10 | 15 | 15 | 20 | 25 | 32 | 40 | 50 |
| Nominal size | .X. | 1012 | 1515 | 1518 | 2022 | 2528 | 3235 | 4042 | 5054 |
| Dimension code | .X. | 1012 | 1515 | 1518 | 2022 | 2528 | 3235 | 4042 | 5054 |
| Face-to-face dimension | FF | 360 | 385 | 385 | 385 | 415 | 415 | 420 | 460 |
| Height | H | 270mm or 370mm | | | | | | | |
| Outside pipe-Ø | RA | 12.0 | 15.0 | 18.0 | 22.0 | 28.0 | 35.0 | 42.0 | 54.0 |
| Wall thickness pipe | a | 1.0 | 1.5 | 1.5 | 1.5 | 1.5 | 1.5 | 1.5 | 2.0 |
| Handwheel-Ø | B | 100 | 100 | 100 | 100 | 100 | 125 | 125 | 125 |
| Wrench size across flats | S ₁ | 10 | 10 | 10 | 10 | 10 | 13 | 13 | 13 |
| Wrench size across flats | S ₂ | 30 | 30 | 30 | 30 | 30 | 36 | 36 | 36 |
| Weight | ca. kg | 1.5 | 1.9 | 1.9 | 2.4 | 2.8 | 3.7 | 5.2 | 7.8 |
| Kvs-Value | m ³ /h | 2.2 | 4.3 | 4.3 | 6.7 | 11.5 | 12.1 | 22.6 | 37.1 |
| Cv-Value | gal/min | 2.6 | 5.0 | 5.0 | 7.8 | 13.4 | 14.1 | 26.3 | 43.2 |

Dimensions in mm.