



### Globe Valves, PN16, DIN 86 260-A

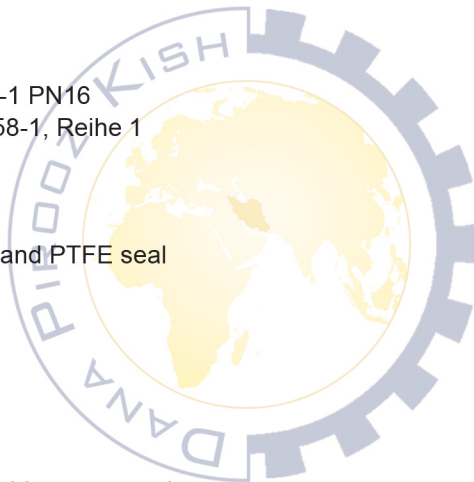
Bronze body and topwork  
metal to metal seated

#### Part No. 03050.X.0160

Flanged connection acc. to DIN EN 1092-1 PN16  
face-to-face dimension acc. to DIN EN 558-1, Reihe 1

Available options - on request only:

- Disc with PTFE seal
- Valve with control disc (tapered design) and PTFE seal



### Applications:

Suitable for non-toxic, non-inflammable fluids, gases and vapours.

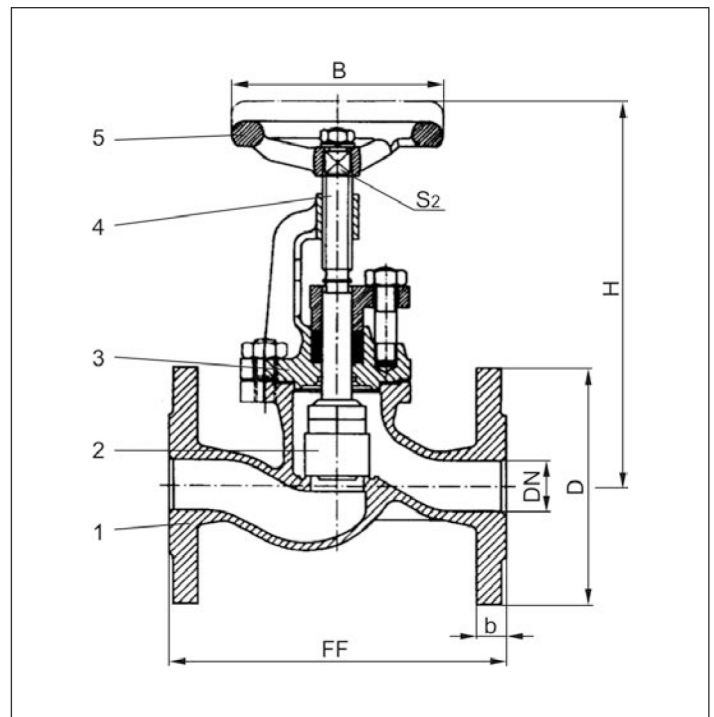
The laws, regulations and standards are to observe for the range of application.

Working temperatures: -10°C / +14°F (263K) up to +225°C / +437°F (498K)

Materials	DIN EN	ASTM
1 Body	CC491K	B 62 UNS C83600
2 Disc	CC491K	B 62 UNS C83600
3 Headpiece	CC491K	B 62 UNS C83600
4 Stem	CW710R	no reference
5 Handwheel	cast iron	

**Essential:** When ordering or requesting an offer please indicate flow medium, working pressure and working temperature.

Standard marking acc. to Pressure Equipment Directive 97/23/EC (PED).



Type 03050	Technical data									
Nominal size	DN	25	32	40	50	65	80	100	125	150
Dimension code	.X.	0250	0320	0400	0500	0650	0800	1000	1250	1500
Face-to-face dimension	FF	160	180	200	230	290	310	350	400	480
Height	H	210	220	250	250	315	335	375	420	460
Flange diameter	D	115	140	150	165	185	200	220	250	285
Width of flange	b	12	14	14	16	16	18	20	20	22
Handwheel-Ø	B	100	125	150	150	185	200	200	225	250
Wrench size across flats	S <sub>2</sub>	9	11	12	12	14	17	17	19	22
Weight	ca. kg	6.0	8.0	10.0	12.0	17.0	23.0	30.0	50.0	65.0

Dimensions in mm.