

Safety Valves

Type 06604



Safety Valves, angle type, bronze, type tested TÜV-SV.1080. D/G

Standard safety valve
with O-ring valve seal,
closed bonnet, with lifting device,
with enlarged outlet
In- and outlet: female thread type G (BSPP) acc. to ISO 228/1

Part No. 06604.1204.0000

Available options - on request only:

- external parts nickel plated



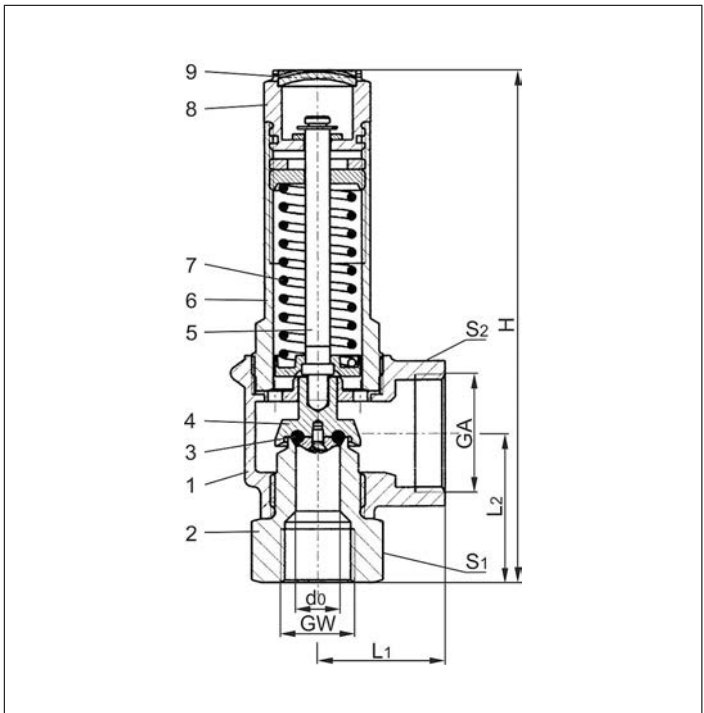
Applications:

Provided as safety device for protection against excessive pressure in gas cylinders and pressure vessels.

Approved for gases and vapours, preferably for non-inflammable refrigerants acc. to EN 378-1.

Working temperature: -50°C / -58°F (223K) up to +150°C / +316°F (423K)

Materials	DIN EN	ASTM
1 Body	CC491K	B 62 UNS C83600
2 Inlet body	CW614N	B 111 UNS C28000
3 O-ring	PTFE	
4 Disc	CW614N	B 249 UNS C38500
5 Stem	CW614N	B 249 UNS C38500
6 Bonnet	CW614N	B 249 UNS C38500
7 Spring	1.4571	A 313 Grade 316Ti
8 Lifting device	CW614N	B 249 UNS C38500
9 Closing cap	CW507L	B 36 UNS C26800



Essential: Valves are delivered at a set pressure, therefore when ordering please confirm set pressure, medium and temperature.

Standard marking acc. to Pressure Equipment Directive 97/23/EC (PED).



Type 06604	Technical data	
Nominal size	GW	1/2
Orifice	d ₀	12.5
Set pressure range	bar	14.0-30
Outlet	GA	1
Height	H	145
Length	L ₁	36
Length	L ₂	42
Wrench size across flats	S ₁	32
Wrench size across flats	S ₂	41
Weight	ca. kg	0.7
Coefficient of discharge	α _w	0.7

Dimensions in mm.

Safety Valves

Type 06604



Discharge capacities

Calculation of mass flow acc. to AD2000-Merkblatt A2

Medium:

Air in m³/h at 0°C and 1013.25 mbar

The capacity indicated below is for a fully opened valve.

d₀ - orifice

A₀ - flow area

Set pressure in bar (g)	GW	1/2
	d ₀ (mm)	12.5
	A ₀ (mm ²)	122.7
	Medium	Air
14.0		969
15.0		1034
16.0		1099
17.0		1164
18.0		1229
19.0		1294
20.0		1372
21.0		1437
22.0		1503
23.0		1569
24.0		1634
25.0		1700
26.0		1765
27.0		1831
28.0		1897
29.0		1962
30.0		2047