

Safety Valves

Type 06601



Safety Valves, angle type, bronze, type tested TÜV-SV.1080. D/G

Standard safety valve
with O-ring valve seal,
closed bonnet, with lifting device
with enlarged outlet
In- and outlet: female thread type G (BSPP) acc. to ISO 228/1

Part No. 06601.1204.0000

Available options - on request only:

- external parts nickel plated



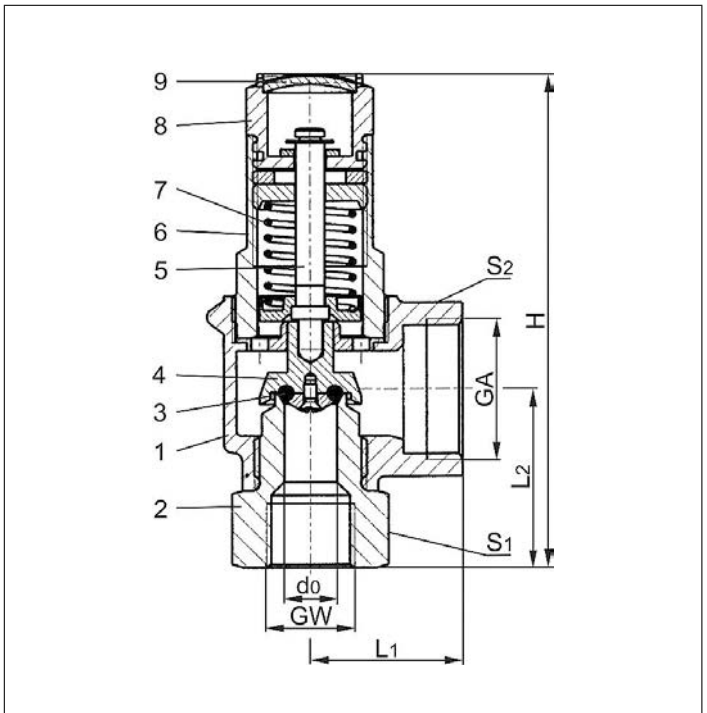
Applications:

Provided as safety device for protection against excessive pressure in gas cylinders and pressure vessels.

Approved for non-toxic gases and vapours.

Working temperature: -10°C / +14°F (263K) up to +185°C / +365°F (458K)

Materials	DIN EN	ASTM
1 Body	CC491K	B 62 UNS C83600
2 Inlet body	CW614N	B 111 UNS C28000
3 O-ring	PTFE	
4 Disc	CW614N	B 249 UNS C38500
5 Stem	CW614N	B 249 UNS C38500
6 Bonnet	CW614N	B 249 UNS C38500
7 Spring	1.4571	A 313 Grade 316Ti
8 Lifting device	CW614N	B 249 UNS C38500
9 Closing cap	CW507L	B 36 UNS C26800



Essential: Valves are delivered at a set pressure, therefore when ordering please confirm set pressure, medium and temperature.

Standard marking acc. to Pressure Equipment Directive 97/23/EC (PED).



Type 06601	Technical data	
Nominal size	GW	1/2
Orifice	d ₀	12.5
Set pressure range	bar	5.0-10
Outlet	GA	1
Height	H	117
Length	L ₁	36
Length	L ₂	42
Wrench size across flats	S ₁	32
Wrench size across flats	S ₂	41
Weight	ca. kg	0.65
Coefficient of discharge	α _w	0.42

Dimensions in mm.

Safety Valves

Type 06601



Discharge capacities

Calculation of mass flow acc. to AD2000-Merkblatt A2

Medium:

Air in m³/h at 0°C and 1013.25 mbar

The capacity indicated below is for a fully opened valve.

d_0 - orifice

A_0 - flow area

Set pressure in bar (g)	GW	1/2
	d_0 (mm)	12.5
	A_0 (mm ²)	122.7
	Medium	Air
5.0		229
5.5		249
6.0		268
6.5		287
7.0		307
7.5		326
8.0		347
8.5		366
9.0		385
9.5		405
10.0		425