

Safety Valves

Type 06395



Safety Valves, angle type, bronze, type tested TÜV-SV.910. D/G

Standard safety valve, open bonnet, with lifting device and enlarged outlet

Outlet: female thread type G (BSPP) acc. to ISO 228/1

Part No. 06395.X.2080 (Inlet: male thread type G (BSPP) acc. to ISO 228/1)

Part No. 06395.X.3080 (Inlet: male thread type R (BSPT) acc. to ISO 7/1)

metal to metal seated for air and similar gases

Working temperature: -10°C / +14°F (263K) up to +225°C / +437°F (498K)

Part No. 06395.X.2580 (Inlet: male thread type G (BSPP) acc. to ISO 228/1)

Part No. 06395.X.3580 (Inlet: male thread type R (BSPT) acc. to ISO 7/1)

with PTFE/carbon filled valve seal for air and similar gases

Working temperature: -10°C / +14°F (263K) up to +185°C / +365°F (458K)

Part No. 06395.X.2680 (Inlet: male thread type G (BSPP) acc. to ISO 228/1)

Part No. 06395.X.3680 (Inlet: male thread type R (BSPT) acc. to ISO 7/1)

with EPDM valve seal for saturated steam

Working temperature: -10°C / +14°F (263K) up to +185°C / +365°F (458K)

Available options - on request only:

· stainless steel inlet body - material 1.4571 · external parts nickel plated

Applications:

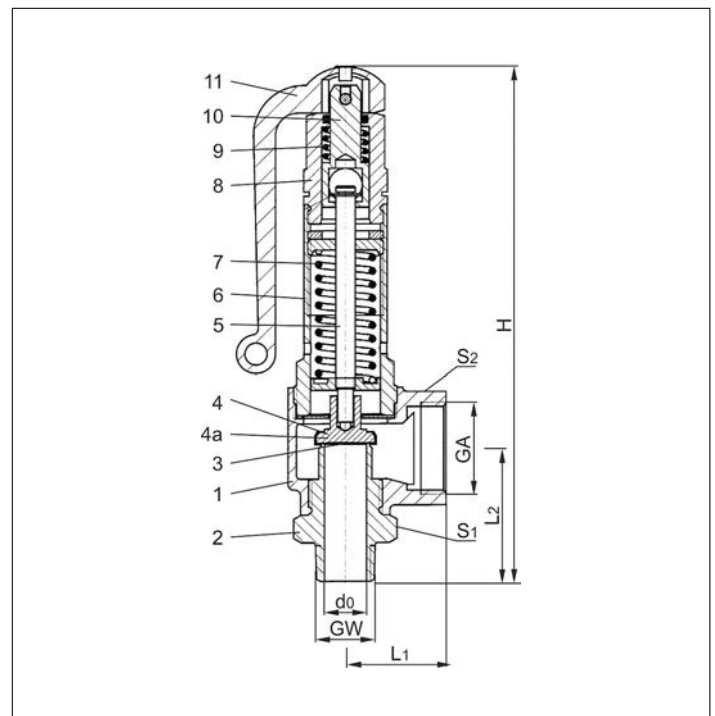
Provided as safety device for protection against excessive pressure in pressure vessels and steam boilers.



Materials	DIN EN	ASTM
1 Body	CC491K	B 62 UNS C83600
2 Inlet body	CW614N	B 111 UNS C28000
3 Valve seal	PTFE/Carbon filled or EPDM	
4 Disc metal seated	1.4541	A 276 Grade 321
4a Disc soft seated	CW614N	B 249 UNS C38500
5 Stem	CW614N	B 249 UNS C38500
6 Bonnet	CW614N	B 249 UNS C38500
7 Spring	1.4571	A 313 Grade 316Ti
8 Lifting cap	CW614N	B 249 UNS C38500
9 Lifting spring	1.4571	A 313 Grade 316Ti
10 Lifting stem	CW614N	B 249 UNS C38500
11 Lever	1.4408	A 351 CF8M

Essential: Valves are delivered at a set pressure, therefore when ordering please confirm set pressure, medium and temperature.

Standard marking acc. to Pressure Equipment Directive 97/23/EC (PED).



Type 06395	Technical data				
Nominal size	GW	1/2	3/4	1	1-1/4
Orifice	d ₀	15	18	23	28
Dimension code	.X.	0400	0600	1000	1200
Set pressure range metal seated	bar	0.5-25	0.5-25	0.5-25	0.5-12
Set pressure range PTFE seal	bar	0.5-25	0.5-25	0.5-25	0.5-12
Set pressure range EPDM seal	bar	0.5-3	0.5-7	0.5-4.6	0.5-6
Outlet	GA	1	1-1/4	1-1/2	2
Height	H	187	209	256	284
Length	L ₁	36	50	48	58
Length	L ₂	48	59	69	82
Wrench size across flats	S ₁	32	41	50	55
Wrench size across flats	S ₂	41	50	58	70
Weight	ca. kg	0.955	1.5	2.5	3.85
Coeff. of discharge from 3.0 bar	α _w	0.64	0.58	0.57	0.66

Dimensions in mm.

Safety Valves

Type 06395



Discharge capacities

Calculation of mass flow acc. to AD2000-Merkblatt A2

Medium:

Air in m³/h at 0°C and 1013.25 mbar

Saturated steam in kg/h

The capacity indicated below is for a fully opened valve.

d_0 - orifice

A_0 - flow area

Set pressure in bar (g)	GW	1/2	3/4	1	1-1/4	1/2	3/4	1	1-1/4
	d_0 (mm)	15.0	18.0	23.0	28.0	15.0	18.0	23.0	28.0
	A_0 (mm ²)	176.7	254.5	415.5	615.5	176.7	254.5	415.5	615.5
	Medium	Air				Saturated steam			
0.5		92	130	204	335	76	108	169	277
1.0		142	197	317	522	113	158	253	418
2.0		235	317	509	862	186	250	402	681
3.0		333	434	697	1196	260	339	544	934
4.0		417	545	875	1501	324	423	679	1165
5.0		503	657	1055	1810	388	507	813	1396
6.0		589	768	1233	2116	452	590	946	1624
7.0		674	879	1411	2422	515	672	1079	1852
8.0		761	993	1594	2736	578	755	1211	2079
9.0		846	1105	1773	3043	641	837	1343	2306
10.0		934	1219	1956	3356	704	919	1475	2532
12.0		1105	1442	2314	3971	830	1083	1738	2984
14.0		1276	1665	2672	-	955	1247	2001	-
16.0		1447	1888	3030	-	1081	1411	2264	-
18.0		1618	2112	3389	-	1206	1573	2525	-
20.0		1806	2357	3783	-	1331	1737	2788	-
22.0		1979	2583	4144	-	1456	1900	3050	-
24.0		2152	2808	4506	-	1583	2065	3314	-
25.0		2238	2921	4687	-	1643	2145	3442	-