

Safety Valves

Type 06376



Safety Valves, angle type, bronze, type tested TÜV-SV.749. F

Standard safety valve
with soft valve seal for fluids, open bonnet,
with diaphragm for protection of the spring, with lifting device
In- and Outlet: female thread type G (BSPP) acc. to ISO 228/1

Part No. 06376.X.0000

with NBR valve seal for following pressure range

Nom. size 1/2": 1.0 - 11.50 bar, **Nom. size 3/4":** 1.0 - 12.50 bar
Nom. size 1": 1.0 - 9.00 bar, **Nom. size 1-1/4":** 1.0 - 10.50 bar

with FPM valve seal for following pressure range

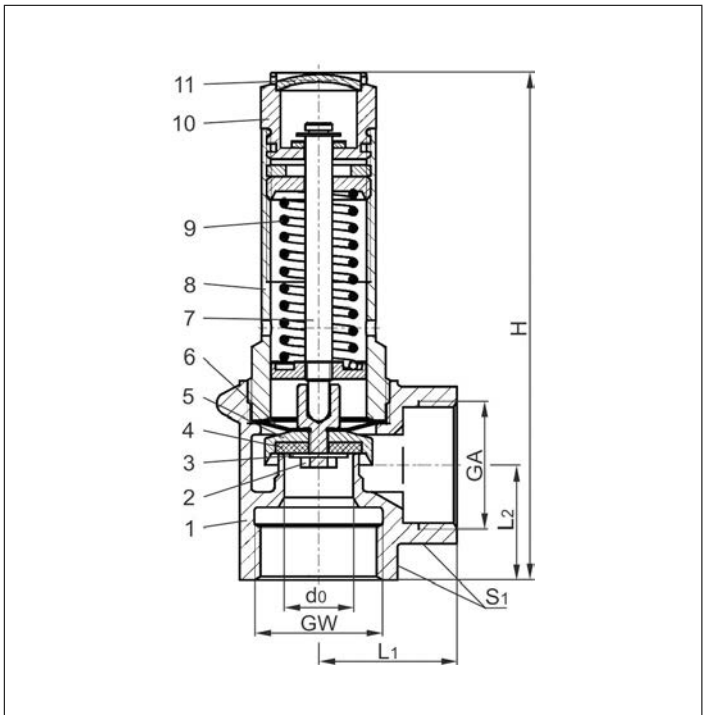
Nom. size 1/2": 1.0 - 16.0 bar, **Nom. size 3/4":** 1.0 - 16.0 bar
Nom. size 1": 1.0 - 16.0 bar, **Nom. size 1-1/4":** 1.0 - 16.0 bar



Applications:

Provided as safety device for protection against excessive pressure in gas cylinders and pressure vessels.
Approved for non-toxic, non-inflammable fluids - medium contact parts are seawater resistant.
Working temperature: -10°C / +14°F (263K) up to +110°C / +230°F (383K), suitable for horizontal installation

Materials	DIN EN	ASTM
1 Body	CC480K	C90700
2 Disc nut	1.4571/A4	similar A 194
3 Plate	Copper	
4 Valve seal	NBR or FPM	
5 Disc	CW452K	B 159 UNS C51900
6 Diaphragm	NBR	
7 Stem	CW614N	B 249 UNS C38500
8 Bonnet	CW614N	B 249 UNS C38500
9 Spring	1.4571	A 313 Grade 316Ti
10 Lifting device	CW614N	B 249 UNS C38500
11 Closing cap	CW507L	B 36 UNS C26800



Essential: Valves are delivered at a set pressure, therefore when ordering please confirm set pressure, medium and temperature.

Standard marking acc. to Pressure Equipment Directive 97/23/EC (PED).



Type 06376	Technical data				
Nominal size	GW	1/2	3/4	1	1-1/4
Orifice	d ₀	12	15	18	20
Dimension code	.X.	0400	0600	1000	1200
Set pressure range	bar	1.0-16	1.0-16	1.0-16	1.0-16
Outlet	GA	1/2	3/4	1	1-1/4
Height	H	92	111	132	152
Length	L ₁	25	30	36	40
Length	L ₂	20	25	30	35
Wrench size across flats	S ₁	27	32	41	50
Weight	ca. kg	0.24	0.40	0.70	1.07
Coefficient of discharge	α _w	0.20	0.25	0.31	0.39

Dimensions in mm.

Safety Valves

Type 06376



Discharge capacities

Calculation of mass flow acc. to AD2000-Merkblatt A2

Medium:

Water in kg/h at 20°C

The capacity indicated below is for a fully opened valve.

d_0 - orifice

A_0 - flow area

Set pressure in bar (g)	GW	1/2	3/4	1	1-1/4
	d_0 (mm)	12.0	15.0	18.0	20.0
	A_0 (mm ²)	113.1	176.7	254.5	314.2
	Medium	Water			
1.0		1207	2357	4213	6543
2.0		1706	3333	5958	9254
3.0		2090	4082	7297	11334
4.0		2413	4713	8426	13087
5.0		2698	5270	9420	14632
6.0		2956	5773	10320	16028
7.0		3193	6235	11146	17312
8.0		3413	6666	11916	18508
9.0		3620	7070	12639	19630
10.0		3816	7453	13322	20692
12.0		4180	8164	14594	22667
14.0		4515	8818	15763	24483
16.0		4827	9427	16852	26174