

Safety Valves

Type 06372



Safety Valves, angle type, bronze, type tested TÜV-SV.749. S/G

Standard safety valve
with soft valve seal for saturated steam, air and similar gases, open bonnet,
with diaphragm for protection of the spring, with lifting device
In- and outlet: female thread type G (BSPP) acc. to ISO 228/1

Part No. 06372.X.0000

with FPM valve seal (PTFE coated)

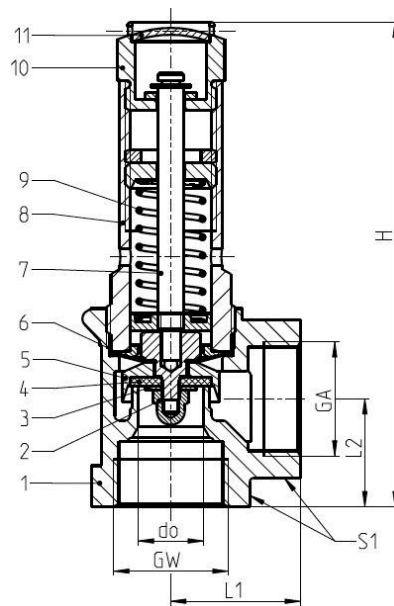


Applications:

Provided as safety device for protection against excessive pressure in pressure vessels and steam boilers.

Working temperature: -10°C / +14°F (263K) up to +120°C / +230°F (393K), suitable for horizontal installation

Materials	DIN EN	ASTM
1 Body	CC491K	B 62 UNS C83600
2 Disc nut	CW614N	B 249 UNS C38500
3 Plate	CW507L	B 36 UNS C26800
4 Valve seal	FPM (PTFE coated)	
5 Disc	CW614N	B 249 UNS C38500
6 Diaphragm	NBR	
7 Stem	CW614N	B 249 UNS C38500
8 Bonnet	CW614N	B 249 UNS C38500
9 Spring	1.4571	A 313 Grade 316Ti
10 Lifting device	CW614N	B 249 UNS C38500
11 Closing cap	CW507L	B 36 UNS C26800



Essential: Valves are delivered at a set pressure, therefore when ordering please confirm set pressure, medium and temperature.

Standard marking acc. to Pressure Equipment Directive 97/23/EC (PED).



Type 06370	Technical data	
Nominal size	GW	3/4
Orifice	d_0	15
Dimension code	.X.	0600
Set pressure range	bar	0.8-1.0
Outlet	GA	3/4
Height	H	111
Length	L_1	30
Length	L_2	25
Wrench size across flats	S_1	32
Weight	ca. kg	0.40
Coeff. of discharge	α_w	0.27

Dimensions in mm.

Safety Valves

Type 06372



Discharge capacities

Calculation of mass flow acc. to AD2000-Merkblatt A2

Medium:

A = Saturated Steam in kg/h

B = Air in m³/h at 0°C and 1013.25 mbar

The capacity indicated below is for a fully opened valve.

d_0 - orifice

A_0 - flow area

Set pressure in bar (g)	GW	3/4	
	d_0 (mm)	15.0	
	A_0 (mm ²)	176.7	
	Medium	A	B
0.8		49	62
0.9		52	65
1.0		54	68