

# Safety Valves

## Type 06370



### Safety Valves, angle type, bronze, type tested TÜV-SV.749. F

Standard safety valve  
with soft valve seal for fluids, open bonnet,  
with diaphragm for protection of the spring, with lifting device  
In- and outlet: female thread type G (BSPP) acc. to ISO 228/1

**Part No. 06370.X.0000** with NBR valve seal

**Part No. 06370.X.0700** with FPM valve seal

Pressure range in bar:	NBR	FPM		NBR	FPM
<b>Nom. size 1/2":</b>	1.0 - 11.0	1.0 - 16.0	<b>Nom. size 3/4":</b>	1.0 - 10.5	1.0 - 16.0
<b>Nom. size 1":</b>	1.0 - 10.0	1.0 - 16.0	<b>Nom. size 1-1/4":</b>	1.0 - 9.0	1.0 - 16.0
<b>Nom. size 1-1/2":</b>	1.0 - 8.5	1.0 - 16.0	<b>Nom. size 2":</b>	1.0 - 9.0	1.0 - 16.0



Available options - on request only:

- stainless steel spring - material 1.4571
- external parts nickel plated

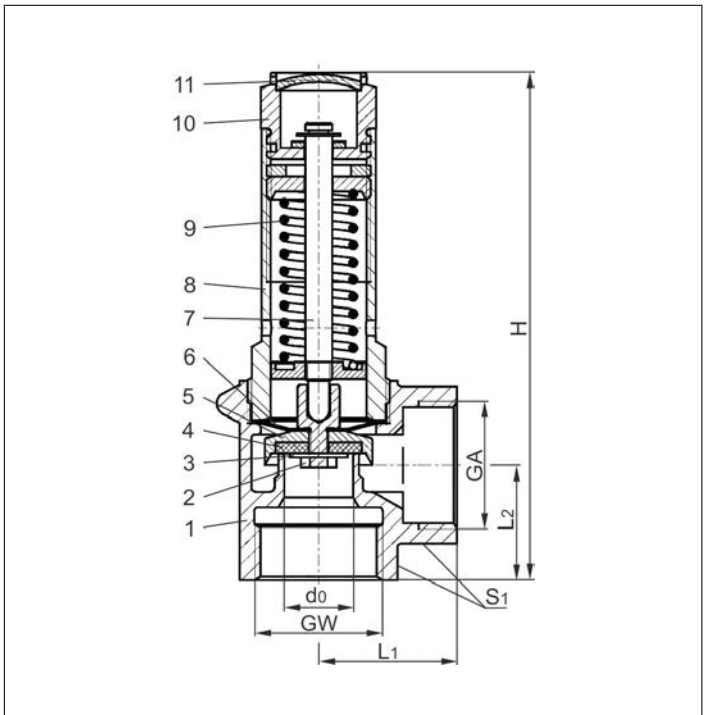
#### Applications:

Provided as safety device for protection against excessive pressure in gas cylinders and pressure vessels.

Approved for non-adhesive fluids, which are not vaporized during blow off.

Working temperature: -10°C / +14°F (263K) up to +110°C / +230°F (383K), suitable for horizontal installation

Materials	DIN EN	ASTM
1 Body	CC491K	B 62 UNS C83600
2 Disc nut	CW614N	B 249 UNS C38500
3 Plate	CW507L	B 36 UNS C26800
4 Valve seal	NBR or FPM	
5 Disc	CW614N	B 249 UNS C38500
6 Diaphragm	NBR	
7 Stem	CW614N	B 249 UNS C38500
8 Bonnet	CW614N	B 249 UNS C38500
9 Spring	1.1200	A 227
10 Lifting device	CW614N	B 249 UNS C38500
11 Closing cap	CW507L	B 36 UNS C26800



**Essential:** Valves are delivered at a set pressure, therefore when ordering please confirm set pressure, medium and temperature.

Standard marking acc. to Pressure Equipment Directive 97/23/EC (PED).



Type 06370	Technical data						
Nominal size	GW	1/2	3/4	1	1-1/4	1-1/2	2
Orifice	d <sub>0</sub>	12	15	18	20	24	28
Dimension code	.X.	0400	0600	1000	1200	1400	2000
Set pressure range	bar	1.0-16	1.0-16	1.0-16	1.0-16	1.0-16	1.0-16
Outlet	GA	1/2	3/4	1	1-1/4	1-1/2	2
Height	H	92	111	132	152	175	200
Length	L <sub>1</sub>	25	30	36	40	48	56
Length	L <sub>2</sub>	20	25	30	35	40	48
Wrench size across flats	S <sub>1</sub>	27	32	41	50	58	70
Weight	ca. kg	0.24	0.40	0.70	1.07	1.65	2.65
Coeff. of discharge	α <sub>w</sub>	0.20	0.25	0.31	0.39	0.42	0.38

Dimensions in mm.

# Safety Valves

## Type 06370



### Discharge capacities

Calculation of mass flow acc. to AD2000-Merkblatt A2

Medium:

**Water** in kg/h at 20°C

**The capacity indicated below is for a fully opened valve.**

$d_0$  - orifice

$A_0$  - flow area

Set pressure in bar (g)	GW	1/2	3/4	1	1-1/4	1-1/2	2
	$d_0$ (mm)	12.0	15.0	18.0	20.0	24.0	28.0
	$A_0$ (mm <sup>2</sup> )	113.1	176.7	254.5	314.2	452.4	615.8
	Medium	<b>Water</b>					
<b>1.0</b>		1207	2359	4212	6542	10146	12494
<b>2.0</b>		1708	3336	5957	9252	14348	17670
<b>3.0</b>		2092	4086	7296	11332	17573	21641
<b>4.0</b>		2415	4718	8424	13085	20292	24989
<b>5.0</b>		2700	5275	9419	14629	22687	27938
<b>6.0</b>		2958	5778	10318	16025	24852	30605
<b>7.0</b>		3195	6241	11145	17310	26843	33057
<b>8.0</b>		3416	6672	11914	18505	28697	35340
<b>9.0</b>		3623	7077	12637	19627	30438	37483
<b>10.0</b>		3819	7460	13320	20689	32084	39511
<b>12.0</b>		4184	8172	14592	22664	35146	43282
<b>14.0</b>		4519	8826	15761	24480	37962	46750
<b>16.0</b>		4831	9436	16849	26170	40584	49978