

### 3-Piece-Ball Valve

Stainless steel body and topwork, carbon steel handle  
"live loaded" gland packing

#### Part No. 15072.X.0000

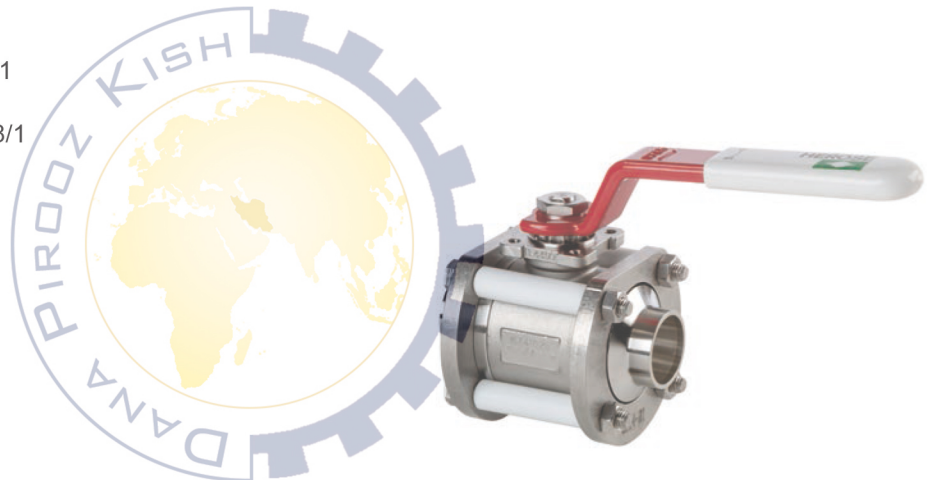
Female thread NPT acc. to ANSI B 1.20.1

#### Part No. 15073.X.0000

Female thread G (BSPP) acc. to ISO 228/1

Available options - on request only:

- Stainless steel lockable handle
- With pneumatic actuator
- With upstream pressure relief hole
- ATEX Ex II 2GD



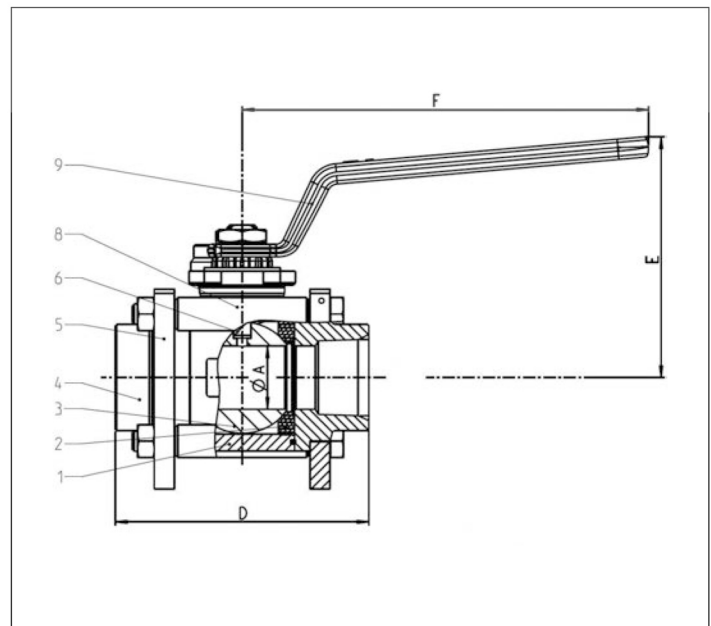
### Applications:

Approved for air gases, vapours and gases.

Working temperature: -50°C / -58°F (223K) up to +190°C / +374°F (463K)

Materials	DIN EN	ASTM
1 Body	1.4409	CF3M (316L)
2 Ball seat	TFM 1600	
3 Ball	1.4409	CF3M (316L)
4 Fitting	1.4404	316L
5 Flange	1.4306	304L
6 Stem	1.4404	316L
8 Gland packing up to DN50	33% C + 2% Gr PTFE	
8a Gland packing from DN65	PTFE	
9 Lever	1.1181	1035

Standard marking acc. to Pressure Equipment Directive 97/23/EC (PED).



Type 15072, 15073	Technical data											
	DN	8	12	15	20	25	32	40	50	65	80	100
Nominal size	.X.	0200	0300	0400	0600	1000	1200	1400	2000	2400	3000	4000
Dimension code	.X.	0200	0300	0400	0600	1000	1200	1400	2000	2400	3000	4000
BSP / NPT	thread	1/4"	3/8"	1/2"	3/4"	1"	1-1/4"	1-1/2"	2"	2-1/2"	3"	4"
Nominal pressure	PN	100	100	100	100	70	70	50	50	40	40	25
Face-to-face dimension	D	65	65	70	85	100	110	125	150	180	210	230
Height	E	70	70	73	91	95	111	116	137	171	182	204
Orifice	Ø A	11.1	11.1	14.0	19.0	25.0	32.0	38.0	50.0	64.0	76.0	100.0
Length	F	120	120	120	160	160	190	190	230	370	440	505
Weight	ca. kg	0.70	0.70	0.98	1.69	2.12	3.32	4.38	8.84	15.0	22.95	34.74
Kvs-Value	m <sup>3</sup> /h	6.0	8.0	13.0	26.0	46.0	82.0	120.0	223.0	423.0	617.0	1154.0
Cv-Value	gal/min	6.9	9.2	15.0	30.0	53.2	94.8	138.7	257.8	489.0	713.3	1334.0

Dimensions in mm.