

3-Piece-Ball Valve

Stainless steel body and topwork, carbon steel handle
"live loaded" gland packing

Part No. 15070.X.0000

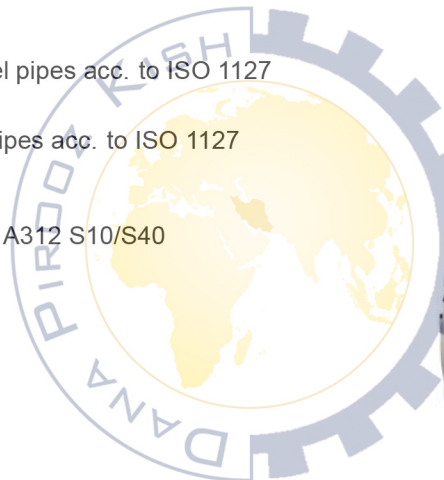
Socket weld connection for stainless steel pipes acc. to ISO 1127

Part No. 15071.X.0000

Butt weld connection for stainless steel pipes acc. to ISO 1127

Available options - on request only:

- End connection for pipes acc. to ASTM A312 S10/S40
- Stainless steel lockable handle
- With pneumatic actuator
- With upstream pressure relief hole
- ATEX Ex II 2GD

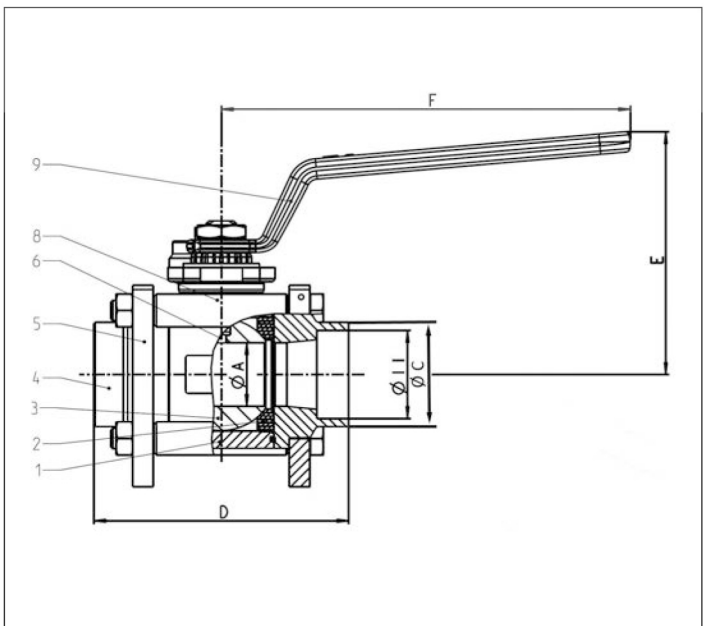


Applications:

Approved for air gases, vapours and gases.

Working temperature: -50°C / -58°F (223K) up to +190°C / +374°F (463K)

Materials	DIN EN	ASTM
1 Body	1.4409	CF3M (316L)
2 Ball seat	TFM 1600	
3 Ball	1.4409	CF3M (316L)
4 Fitting	1.4404	316L
5 Flange	1.4306	304L
6 Stem	1.4404	316L
8 Gland packing up to DN50	33% C + 2% Gr PTFE	
8a Gland packing from DN65	PTFE	
9 Lever	1.1181	1035



Standard marking acc. to Pressure Equipment Directive 97/23/EC (PED).



Type 15070, 15071	Technical data													
	DN	8	12	15	20	25	32	40	50	65	80	100	125	150
Nominal size	.X.	0813	1217	1521	2026	2533	3242	4048	5060	6576	8088	0114	0141	0168
Dimension code	PN	100	100	100	100	70	70	50	50	40	40	25	25	16
Nominal pressure	D	65	65	70	80	100	110	125	150	180	210	230	260	290
Face-to-face dimension	E	70	70	73	91	95	111	116	137	171	182	204	246	270
Height	Ø C	13.5	17.2	21.3	26.9	33.7	42.4	48.3	60.3	76.1	88.9	114.3	139.7	168.3
Outside pipe-Ø ISO 1127	a	2.0	2.0	2.0	2.0	2.0	2.6	2.6	2.9	2.9	2.9	3.2	3.0	3.0
Wall thickness pipe ISO 1127	Ø I1	14.3	17.8	21.9	27.3	34.0	42.8	48.9	61.3	77.6	89.9	115.5	141.3	171.3
Pipe diameter SW	Ø A	11.1	11.1	14.0	19.0	25.0	32.0	38.0	50.0	64.0	76.0	100.0	125.0	150.0
Orifice	F	120	120	120	160	160	190	190	230	370	440	505	710	710
Length	ca. kg	0.65	0.65	0.81	1.61	2.11	3.32	4.27	8.64	14.89	22.75	34.35	57.12	80.04
Weight	m³/h	6.0	8.0	13.0	26.0	46.0	82.0	120.0	223.0	423.0	617.0	1154.0	1883.0	2844.0
Kvs-Value	gal/min	6.9	9.2	15.0	30.0	53.2	94.8	138.7	257.8	489.0	713.3	1334.0	2176.7	3287.6
Cv-Value														

Dimensions in mm.