

Cryogenic-3-Piece-Ball Valve

Stainless steel body and topwork,
 "live loaded" gland packing
 "cleaned and degreased for oxygen service"
 with upstream pressure relief hole
 Marking acc. to EN 1626

Part No. 15085.X.0000

Socket weld connection for stainless steel pipes acc. to ISO 1127

Part No. 15086.X.0000

Butt weld connection for stainless steel pipes acc. to ISO 1127

Available options - on request only:

- End connection for pipes acc. to ASTM A312 S10/S40
- Female thread connection NPT acc. to ANSI B 1.20.1 (**Part No. 15087**)
- Female thread connection G (BSPP) acc. to ISO 228/1 (**Part No. 15088**)
- Stainless steel lockable handle
- With pneumatic actuator
- ATEX Ex II 2GD

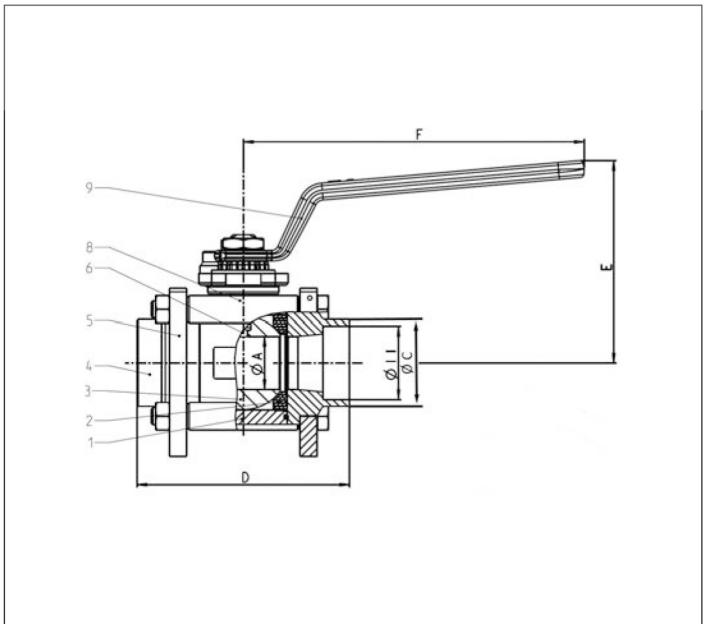


Applications:

Approved for air gases, vapours and cryogenic liquefied gases.

Working temperature: -50°C / -58°F (223K) up to +190°C / +374°F (463K)

Materials	DIN EN	ASTM
1 Body	1.4409	CF3M (316L)
2 Ball seat	PTFE / Carbon filled (25%)	
3 Ball	1.4409	CF3M (316L)
4 Fitting	1.4404	316L
5 Flange	1.4306	304L
6 Stem	1.4404	316L
8 Gland packing up to DN50	33% C + 2% Gr PTFE	
8a Gland packing from DN65	PTFE	
9 Lever	1.1181	1035



Standard marking acc. to Pressure Equipment Directive 97/23/EC (PED).



Type 15085, 15086	Technical data											
Nominal size	DN	15	20	25	32	40	50	65	80	100	125	150
Dimension code	.X.	1521	2026	2533	3242	4048	5060	6576	8088	0114	0141	0168
Nominal pressure	PN	100	100	100	70	70	50	50	40	40	25	25
Face-to-face dimension	D	65	70	85	100	110	125	150	180	210	230	260
Height	E	70	73	91	95	111	116	137	171	182	204	248
Outside pipe-Ø ISO 1127	Ø C	21.3	26.9	33.7	42.4	48.3	60.3	76.1	88.9	114.3	139.7	168.3
Wall thickness pipe ISO 1127	a	2.0	2.0	2.0	2.6	2.6	2.9	2.9	2.9	3.2	3.0	3.0
Pipe diameter SW	Ø I1	21.9	27.3	34.0	42.8	48.9	61.3	77.6	89.9	115.5	141.3	171.3
Orifice	Ø A	11.1	14.0	19.0	25.0	32.0	38.0	50.0	64.0	76.0	100.0	125.0
Length	F	120	160	160	190	190	230	370	440	505	710	710
Weight	ca. kg	0.65	0.80	1.61	2.10	3.12	4.30	8.59	14.84	22.31	33.98	57.94
Kvs-Value	m ³ /h	8.0	13.0	26.0	46.0	82.0	120.0	223.0	397.0	560.0	942.0	1433.0
Cv-Value	gal/min	9.2	15.0	30.0	53.2	94.8	138.7	257.8	489.0	713.3	1083.3	1648.0

Dimensions in mm.