

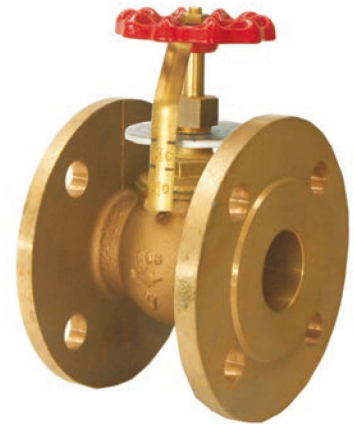
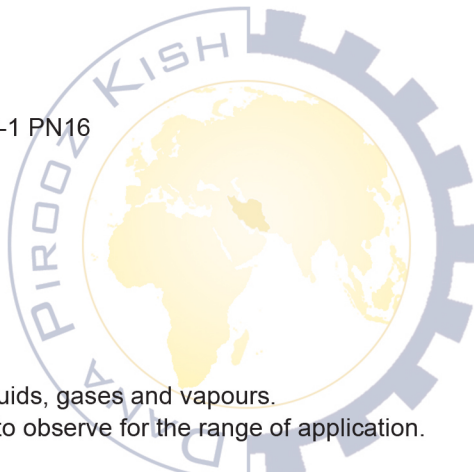


Control Valves, PN16

Control characteristic: linear
Bronze body, screwed topwork in brass
with opening indicator

Part No. 04041.X.0160

Flanged connection acc. to DIN EN 1092-1 PN16



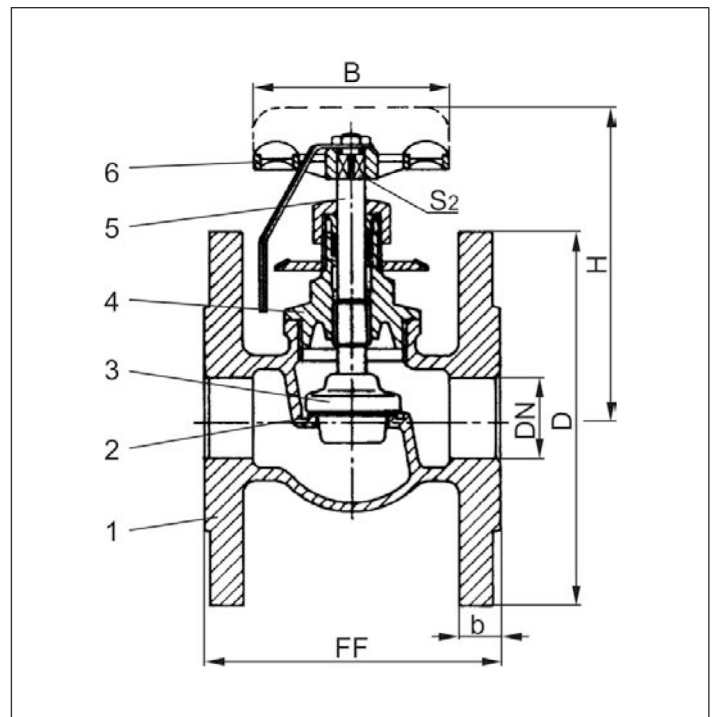
Applications:

Suitable for non-toxic, non-inflammable fluids, gases and vapours.
The laws, regulations and standards are to observe for the range of application.
Working temperatures and pressures:
up to max. 16.0 bar: -10°C / +14°F (263K) up to +80°C / +176°F (353K)
up to max. 10.0 bar: -10°C / +14°F (263K) up to +120°C / +248°F (393K)
up to max. 6.0 bar: -10°C / +14 (263K) up to +160°C / +320°F (433K)

Materials	DIN EN	ASTM
1 Body	CC491K	B 62 UNS C83600
2 Valve seal	PTFE	
3 Control disc	CW614N	B 283 UNS C38500
4 Headpiece	CW614N	B 283 UNS C38500
5 Stem	CW614N	B 283 UNS C38500
6 Handwheel	Aluminium - diecasting	

Essential: When ordering or requesting an offer please indicate flow medium, working pressure and working temperature.

Standard marking acc. to Pressure Equipment Directive 97/23/EC (PED).



Type 04041	Technical data						
Nominal size	DN	15	20	25	32	40	50
Dimension code	.X.	0150	0200	0250	0320	0400	0500
Face-to-face dimension	FF	65	80	90	95	110	125
Height	H	85	95	105	120	130	145
Flange diameter	D	95	105	115	140	150	165
Width of flange	b	10	12	12	14	14	16
Handwheel-Ø	B	50	60	70	80	90	110
Wrench size across flats	S ₂	5	6	7	8	9	9
Weight	ca. kg	1,4	2,0	2,6	3,9	4,5	6,6
Kvs-Value	m ³ /h	2,0	4,0	6,0	12,0	16,0	25,0

Dimensions in mm.