



Globe Valves, angle type, PN16

Bronze body, screwed topwork in brass

Part No. 01131.X.0000

Female thread connection (G) acc. to ISO 7-1 Rp

Available options - on request only:

- external parts nickel plated



Applications:

Suitable for non-toxic, non-inflammable fluids, gases and vapours.

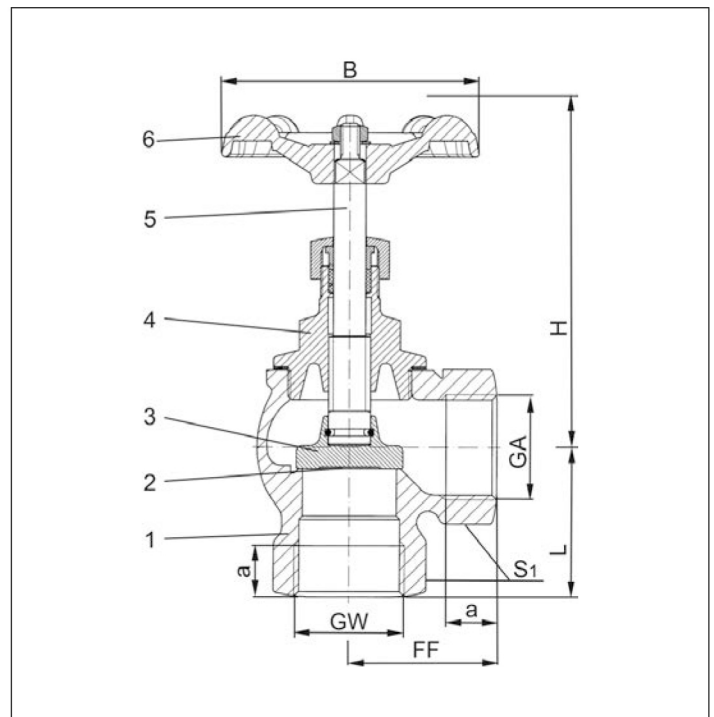
The laws, regulations and standards are to observe for the range of application.

Working temperatures: -10°C / +14°F (263K) up to +185°C / +365°F (458K)

Materials	DIN EN	ASTM
1 Body	CC491K	B 62 UNS C83600
2 Valve seal	PTFE	
3 Disc	CW614N	B 283 UNS C38500
4 Headpiece	CW614N	B 283 UNS C38500
5 Stem	CW614N	B 283 UNS C38500
6 Handwheel	Aluminium - diecasting	

Essential: When ordering or requesting an offer please indicate flow medium, working pressure and working temperature.

Standard marking acc. to Pressure Equipment Directive 97/23/EC (PED).



Type 01131	Technical data					
Nominal size	GW	1/2	3/4	1	1-1/2	2
Dimension code	X.	0400	0600	1000	1400	2000
Face-to-face dimension	FF	25	37.5	42.5	48	56
Length	L	25	35	36	48	56
Height	H	95	110	135	155	190
Socket depth	a	12	19	19	18	20
Thread size	GA	1/2	3/4	1	1-1/2	2
Handwheel-Ø	B	70	70	80	80	80
Wrench size across flats	S ₁	27	32	41	58	70
Wrench size across flats	S ₂	7	8	9	8	9
Weight	ca. kg	0.4	0.6	1.0	1.6	2.5

Dimensions in mm.